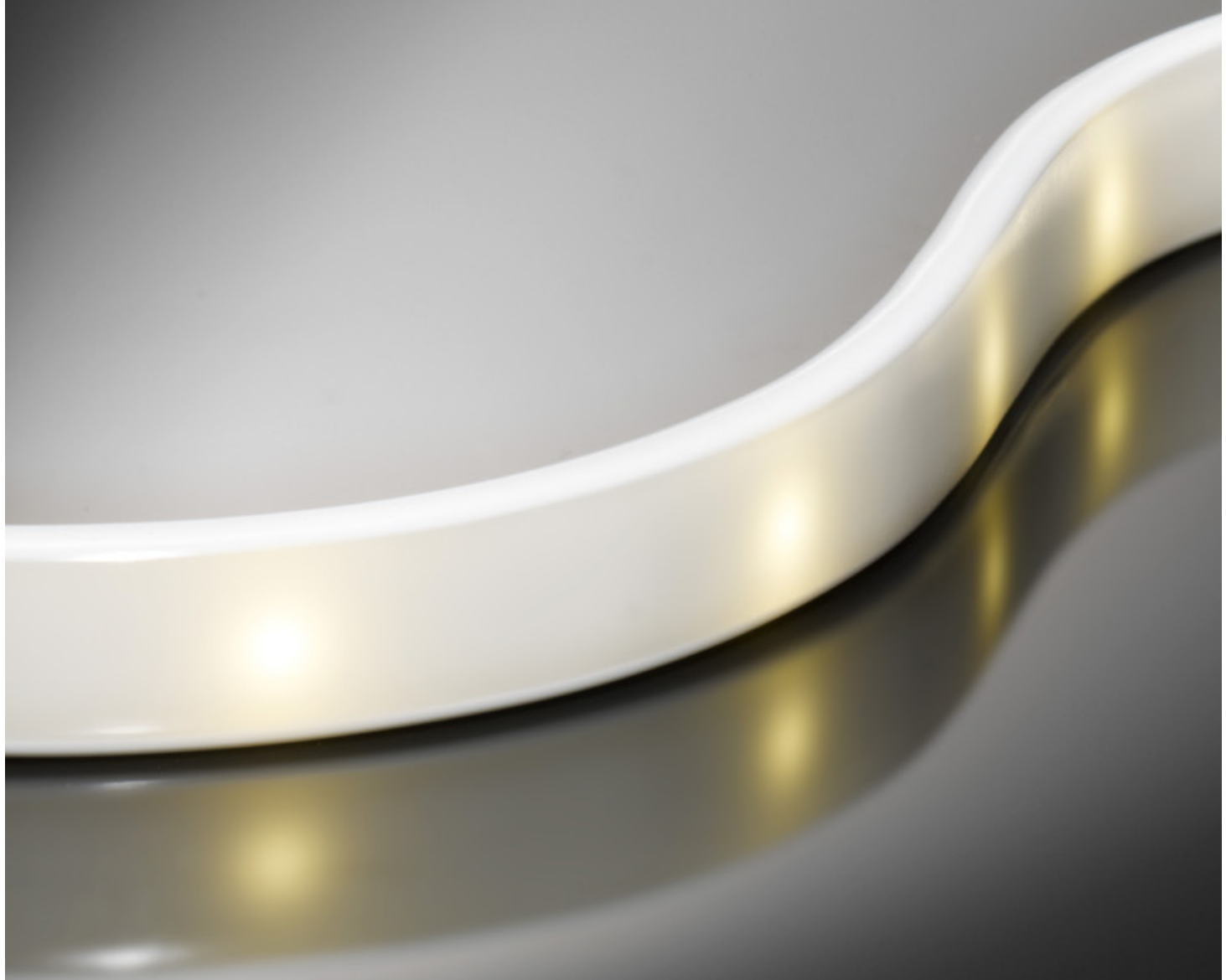


# MultiColor Flex 14/1200

LED strips with infinite potential



Produktdatenblatt  
(Product specification sheet)

**DÖLKEN**  
L I G H T I N G  
A SURTECO COMPANY

## dimensions

measures	14 x 4.7 mm
step length	50 mm
pitch	10 mm
max. connection length	2 m

## light

CCT of PCB*	2.7/3/4/5.000 K
luminous flux**	640 lm/m
binning	MacAdam Step 4
CRI of PCB (Ra)	> 90, (5000K >80)
expected life time	50,000 h, LM70

\* closest colour temperature of PCB, encapsulation will affect the colour temperature

\*\* luminous flux is related to 5.000 K, warmer colour temperatures will reduce the luminous flux. all data are showing typical values, actual lumen output can be less and depends also on surface colour

## electrical

voltage	24 V
power	28,8 W/m
LEDs per step	5
current per step	60 mA
constant current driver each step	✓
ESD protection	✓
inverse polarity connection	✓
Tc°	65 °C
dimnable	✓ only PWM
needed driver must comply	24 V DC SELV

## mechanical

dimensions of smallest operating unit	50 x 14 x 4,7 mm
suitable mounting method***	aluminum mounting profile, glue
degree of protection (strip)	IP68, 10 m
degree of protection (connection)	IP68, 10 m
mechanical impact protection	IK06, IK10 pending
bending radius vertical	50 mm
bending radius horizontal	200 mm

\*\*\* the LED modules are being delivered without any adhesive tape or glue, aluminum profiles have to be ordered separately, recommendations regarding suitable glue/tapes are being given for individual projects

## encapsulation

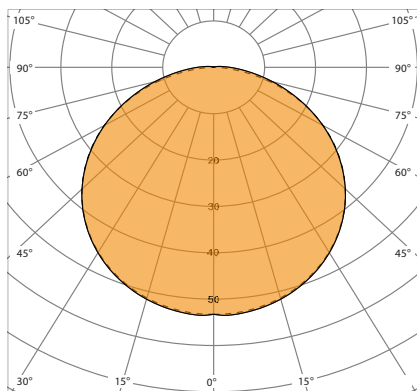
combustibility class	UL-94-HB
dielectric strength	18 kV/mm
halogen free	✓
chlorine free	✓
resistances	salt, water, acids, UV, oil, cleaning supplies, microbiological attack*

\* additional details on request

## environmental /compliances

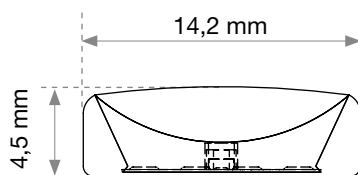
ambient temperature	-20 °C to +60 °C
WEEE-Reg. No.	41380720, Döllken Lighting Flex Line
compliances	CE, RoHS, DIN EN 62031:2008, DIN EN 62717
warranty	5 years (conditions apply)
energy efficiency class	A - A++

## light intensity distribution

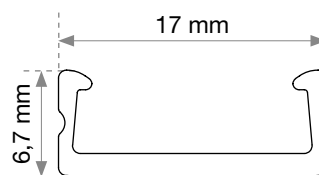


— C0 - C180  
- - - C90 - C270

## technical drawings

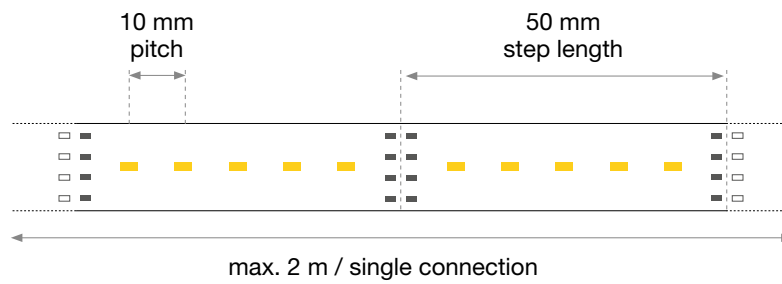


LED stripe

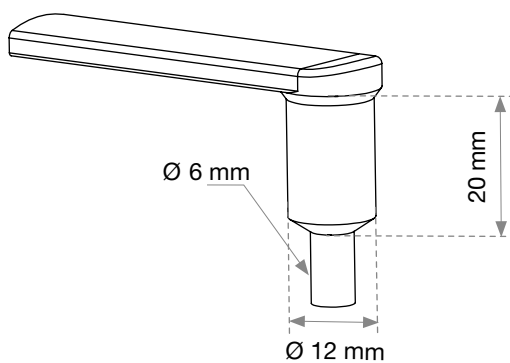


aluminium mounting profile

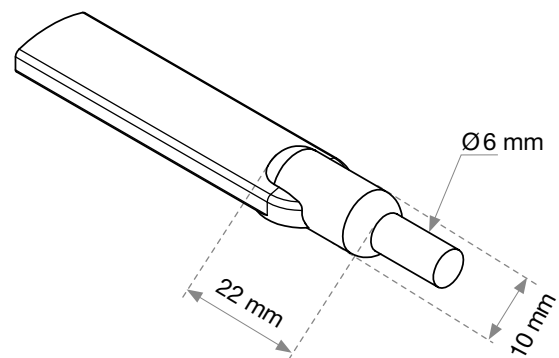
## steps



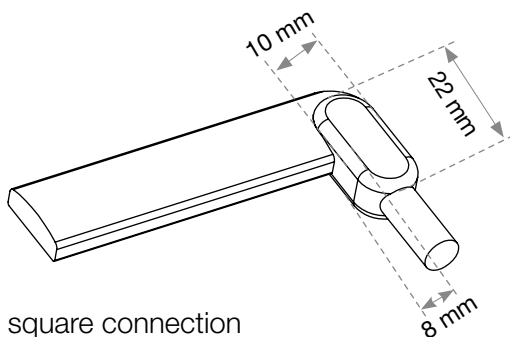
## connection types



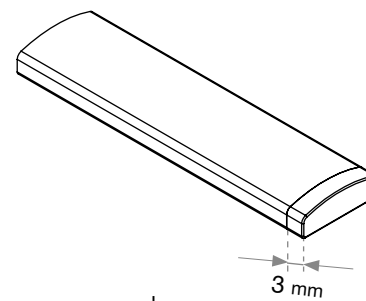
vertical connection



horizontal connection



square connection



square endcaps

## article number

	article number		article number
LED MCF14/1200/2K7 transp.:	5114181	LED MCF14/1200/4K0 transp.:	5114183
LED MCF14/1200/2K7 wh/op:	5114334	LED MCF14/1200/4K0 wh/op:	5114336
LED MCF14/1200/3K0 transp.:	5114182	LED MCF14/1200/5K0 transp.:	5114184
LED MCF14/1200/3K0 wh/op:	5114335	LED MCF14/1200/5K0 wh/op:	5114337
aluminium profile for MultiColor Flex 14, all versions:	5901763		